



INSPIRE GREATNESS

SUBMITTAL DATA SHEET

Job Name _____
 Buyer _____
 Submitted to _____
 Unit Designation _____

Location _____
 Engineer _____
 Reference Approval Construction
 Schedule # _____

| | | | |
|----------------------|-------------------------|------|--|
| AHRI # | 207688890 | | |
| Set Code | | | |
| Indoor Code | | | |
| Outdoor Code | | | |
| Set Model # | TSC-12HA2/I3TI23 | | |
| Indoor Model # | TSC-12HA2/I3TI23-I | | |
| Outdoor Model # | TSC-12HA2/I3TI23 | | |
| Certification | ETL | AHRI | |
| | Energy Star | NEEP | |



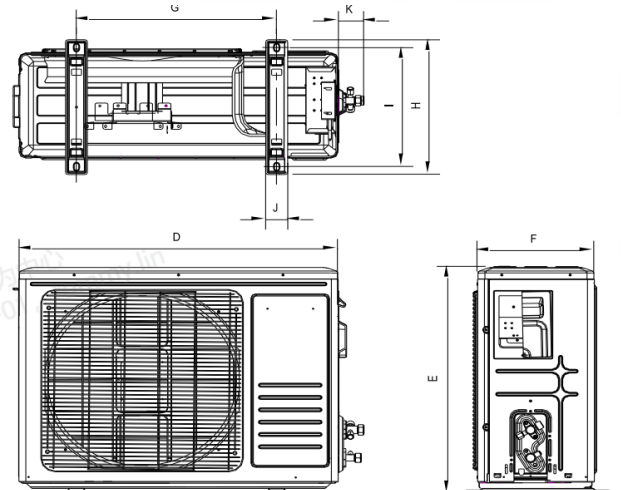
Indoor Unit Dimension



| Model | indoor unit (inch/mm) | | |
|--------------------|-----------------------|----------|---------|
| | A | B | C |
| TSC-09HA1/I3TI22-I | 32.3/820 | 12.1/306 | 7.7/195 |
| TSC-12HA1/I3TI22-I | 36.2/920 | 12.1/306 | 7.7/195 |
| TSC-09HA2/I3TI23-I | 32.3/820 | 12.1/306 | 7.7/195 |
| TSC-12HA2/I3TI23-I | 36.2/920 | 12.1/306 | 7.7/195 |
| TSC-18HA2/I3TI21-I | 43.3/1100 | 13.1/333 | 8.7/222 |
| TSC-24HA2/I3TI20-I | 43.3/1100 | 13.1/333 | 8.7/222 |

Outdoor Unit Dimension

| Model | Outdoor unit (inch/mm) | | | | | | |
|------------------|------------------------|----------|----------|----------|----------|----------|--------|
| | D | E | F | G | H | I | J |
| TSC-09HA1/I3TI22 | 28.6/726 | 21.7/550 | 9.9/252 | 17.1/434 | 12/305 | 11/278 | 1.9/48 |
| TSC-12HA1/I3TI22 | 28.6/726 | 21.7/550 | 9.9/252 | 17.1/434 | 12/305 | 11/278 | 1.9/48 |
| TSC-09HA2/I3TI23 | 28.6/726 | 21.7/550 | 9.9/252 | 17.1/434 | 12/305 | 11/278 | 1.9/48 |
| TSC-12HA2/I3TI23 | 28.6/726 | 21.7/550 | 9.9/252 | 17.1/434 | 12/305 | 11/278 | 1.9/48 |
| TSC-18HA2/I3TI21 | 33.3/845 | 27.5/699 | 13.2/336 | 23.1/586 | 15/380 | 13.7/348 | 2.3/59 |
| TSC-24HA2/I3TI20 | 35.8/910 | 31.7/805 | 13.9/353 | 23.9/607 | 15.6/397 | 15.4/390 | 2.5/63 |



TCL NORTH AMERICA

189 Technology Dr, Irvine, CA 92618

www.tcl.com



INSPIRE GREATNESS

SUBMITTAL DATA SHEET

| SYSTEM PERFORMANCE DATA | | |
|---------------------------------|-------|-----------------------|
| Power supply | | |
| Power Supply | | 208/230V / 1Ph / 60Hz |
| Voltage Range (Min - Max) | V | 165 - 265 |
| Electrical | | |
| Min. Circuit Ampacity - MCA | A | 11 |
| Max. FUSE Size | A | 15 |
| Connection Wiring | | 16AWG*4 |
| Cooling at 95°F (35°C) | | |
| Capacity (Min - Max) | BTU/h | 12,000 (2,700~13,150) |
| Rated Input Power | W | 920 |
| Rated Current | A | 4.1 |
| SEER2 / EER2 | | 23 / 13 |
| Heating at 47°F (8.3°C) | | |
| Capacity (Min - Max) | BTU/h | 12,000 (3,230~15,600) |
| Rated Input Power | W | 910 |
| Rated Current | A | 4.1 |
| HSPF2 -4 / 5 / COP | | 9.5 / 8.1 / 3.86 |
| Heating at 17°F (-8.3°C) | | |
| Capacity | BTU/h | 7,600 |
| Heating at 5°F (-15°C) | | |
| Capacity | BTU/h | 9,100 |
| COP | | 2.32 |

| REFRIGERANT PIPING DATA | | |
|-------------------------------|--------|---------------|
| Refrigerant Type / Charged | oz | R410a / 42.33 |
| Pre-Charge Length Total | ft (m) | 25 (7.5) |
| Additional Charge | oz/ft | 0.22 |
| Design Pressure | PSIG | 550 / 340 |
| Line Set Sized (Liquid - Gas) | in | 1/4 -3/8 |
| Line Set Length (Min - Max) | ft (m) | 10~82 (3~25) |
| Max. Pipe Elevation | ft (m) | 33 (10) |
| Connection method | | Flared |
| Throttle Type | | Capillary |

| TEMPERATURE RANGE | | |
|-----------------------|---------|-----------------|
| Indoor Cooling Range | °F (°C) | >=62 (17) |
| Indoor Heating Range | °F (°C) | <=86 (30) |
| Outdoor Cooling Range | °F (°C) | 5~131 (-15~55) |
| Outdoor Heating Range | °F (°C) | -13~86 (-25~30) |

| INDOOR UNIT DATA | | |
|----------------------------|-----------|--|
| Fan Motor Type | | DC Motor with crossflow Fan |
| Model | | ZKFP-20-8-148 |
| Brand | | Welling |
| Input | W | - |
| RLA | A | - |
| LRA | A | - |
| Speed (Hi/Mi/Lo) | r/min | - |
| Performance | | |
| Air Flow (Min - Max) | CFM | 294~471 |
| Sound Pressure (Min - Max) | dB(A) | 27~45 |
| Unit Data | | |
| External Dimensions | in | 36.2×12.1×7.7 |
| (W × H × D) | mm | 920×306×195 |
| Package Dimensions | in | 39×15×10.5 |
| (W × H × D) | mm | 990×380×265 |
| Weight (Net / Gross) | lbs.(kgs) | 25.4/29.8 (11.5/13.5) |
| Thermostat type | | Wireless Remote Controller with Wi-Fi® |

| OUTDOOR UNIT DATA | | |
|-------------------------|-----------|--|
| Compressor Type | | Rotary, Inverter |
| Brand & Model | | GMCC / KSK103D33UEZC3 |
| Input | | - |
| RLA | | - |
| Motor Type | | |
| | | DC |
| Brand & Model | | Welling / ZKFN-33-10-1 |
| Input | W | - |
| RLA | A | - |
| Speed | r/min | - |
| Performance | | |
| Air Flow (Max) | CFM | 1235 |
| Sound Pressure Level | dB(A) | 52 |
| Unit Data | | |
| External Dimensions | in | 28.7×21.7×12 |
| (W × H × D) | mm | 728×550×305 |
| Package Dimensions | in | 33.6×24×14.1 |
| (W × H × D) | mm | 852×610×358 |
| Weight (Net / Gross) | lbs.(kgs) | 63.5 / 68.8 (28.8 / 31.2) |
| Limited Warranty | | 5 Years Parts, 7 Years Compressor |

General Features:

- Easy Installation
- Easy Maintenance
- CleanXpress
- High Efficiency
- Wireless Remote with LCD Display
- Turbo Cooling & Heating
- Extreme Cooling & Heating
- AI Algorithm Inverter Tech
- I FEEL Function
- 3D & Smart Air Flow
- ECO Mode
- Self-diagnosis
- Sleep Mode
- Healthy Filter
- Deep Self Cleaning
- Smart Wi-Fi & Voice Control
- Filter Reminder
- Auto Restart

TCL NORTH AMERICA

189 Technology Dr, Irvine, CA 92618

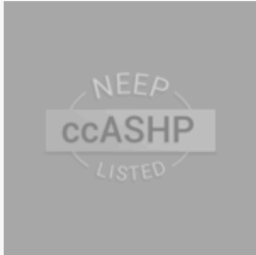
www.tcl.com



INSPIRE GREATNESS

SUBMITTAL DATA SHEET

NEEP DATA 1:



TCL

Central Air Conditioning Heat Pump (HP)

Singlezone Non-Ducted, Wall Placement

AHRI Cert #: **207688890**

Outdoor Unit Model #: **TSC-12HA2/I3TI23**

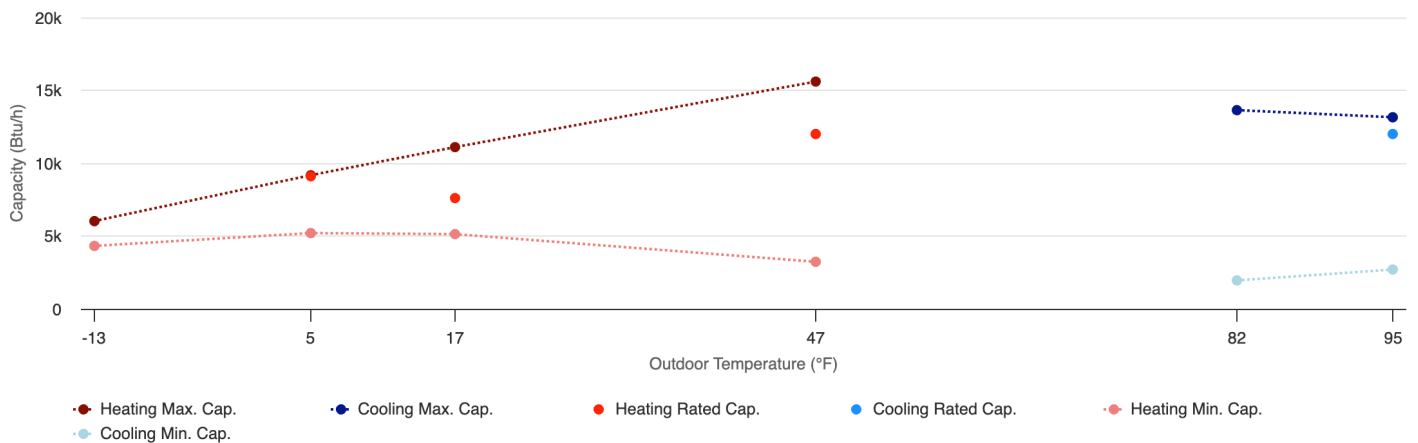
Indoor Model #: **TSC-12HA2/I3TI23-I**

🔥 Maximum Heating Capacity (Btu/h) @5°F: **9,170**

🔥 Rated Heating Capacity (Btu/h) @47°F: **12,000**

❄️ Rated Cooling Capacity (Btu/h) @95°F: **12,000**

Heating/Cooling Capacity Graph



Highcharts.com



INSPIRE GREATNESS

SUBMITTAL DATA SHEET

NEEP DATA 2:

Information Tables

| | |
|---|---------------------------------------|
| Brand | TCL |
| Series | |
| Ducting Configuration | Singlezone Non-Ducted, Wall Placement |
| AHRI Certificate #* | 207688890 |
| Outdoor Unit Model #* | TSC-12HA2/I3TI23 |
| Indoor Model #* | TSC-12HA2/I3TI23-I |
| Indoor Unit Type* | Mini-Splits |
| Furnace Model* # | |
| EER* | 13 |
| SEER* | 23 |
| HSPF (Region IV)* | 10 |
| EER2* | 13 |
| SEER2* | 23 |
| HSPF2 (Region IV)* | 9.5 |
| HSPF2 (Region V) | 8.1 |
| ENERGY STAR V6.1 | |
| ENERGY STAR V6.1 Cold Climate | |
| ENERGY STAR V5.0 | |
| Federal Tax Credit Eligibility North | ✓ |
| Federal Tax Credit Eligibility South | |
| Capacity Maintenance (Rated 17°F/Rated 47°F) | 63% |
| Capacity Maintenance (Rated 5°F/Rated 47°F) | 75% |
| Capacity Maintenance (Max 5°F/Rated 47°F) | 76% |
| Variable Capacity | ✓ |
| Integration | |
| Connectivity | |
| Operational Diagnostics | |
| Refrigerant | R-410A |
| Sold In* | USA, Canada |

Performance Specs

| Heating / Cooling | Outdoor Dry Bulb | Indoor Dry Bulb | Unit | Min | Rated* | Max |
|-------------------|------------------|-----------------|--------|-------|--------|--------|
| | | | | | | |
| Cooling | 95°F | 80°F | Btu/h* | 2,700 | 12,000 | 13,150 |
| | | | kW | 0.2 | 0.91 | 1.31 |
| | | | COP | 3.96 | 3.86 | 2.94 |
| Cooling | 82°F | 80°F | Btu/h* | 1,950 | - | 13,640 |
| | | | kW | 0.11 | - | 1.11 |
| | | | COP | 5.2 | - | 3.6 |
| Heating | 47°F | 70°F | Btu/h* | 3,230 | 12,000 | 15,600 |
| | | | kW | 0.22 | 0.91 | 1.45 |
| | | | COP | 4.3 | 3.86 | 3.15 |
| Heating | 17°F | 70°F | Btu/h* | 5,130 | 7,600 | 11,100 |
| | | | kW | 0.49 | 0.71 | 1.31 |
| | | | COP | 3.07 | 3.14 | 2.48 |
| Heating | 5°F | 70°F | Btu/h* | 5,200 | 9,100 | 9,170 |
| | | | kW | 0.61 | 1.15 | 1.23 |
| | | | COP | 2.5 | 2.32 | 2.18 |
| Heating | -13°F | 70°F | Btu/h* | 4,320 | - | 6,020 |
| | | | kW | 0.82 | - | 1.1 |
| | | | COP | 1.54 | - | 1.6 |