

SUBMITTAL DATA SHEET	CH-M18DTUI	CH-18SHP-230VO
-----------------------------	-------------------	-----------------------

Job Name:
 Location:
 Engineer:
 Submitted to:
 Submitted by:
 Reference:

Date:
 Approval:
 Construction:
 Unit #:
 Drawing #:



Heating/ Cooling	Outdoor Dry Bulb	Indoor Dry Bulb	Unit	Min	Rated	Max
Heating	5°F	70°F	Btu/h	1,876	-	10,352
			kW	0.43	-	1.55
			COP	1.28	-	1.96
	17°F	70°F	Btu/h	2,357	12,000	12,504
			kW	0.49	1.35	1.53
			COP	1.41	2.61	2.4
	47°F	70°F	Btu/h	7,380	18,000	18,912
			kW	0.45	1.68	1.65
			COP	4.81	3.14	3.36
Cooling	82°F	80°F	Btu/h	5,453	-	18,463
			kW	0.22	-	1.26
			COP	7.26	-	4.29
	95°F	80°F	Btu/h	6,510	18,000	18,100
			kW	0.48	1.44	1.6
			COP	3.97	3.66	3.32

This warranty should be registered on our web-site www.cooperandhunter.us within 60 days of installation. The warranty is only valid when installed by a Licensed HVAC Technician. A warranty period of Seven (7) years on compressor to the original registered end-user. A warranty period of Five (5) years on all parts to the original registered end user. Warranty applies only to products remaining in their original installation location.

INDOOR SPECIFICATION

Air Flow (Hi/Mi/Lo)	530/450/371 CFM
Noise Level (Hi/Mi/Lo)	39/37/35 dB(A)
Unit Dimension (WxDxH)	34.65x26.54x8.27 in
Net/Gross Weight	52.47/65.04 lb

OUTDOOR SPECIFICATION

Air flow	1470 CFM
Noise Level	60 dB(A)
Dimension (WxDxH)	33.27x14.29x27.64 in
Net/Gross weight	101.0/108.2 lb
Refrigerant type/Quantity	R410A/68.8 oz
Refrigerant precharge	25 ft
Additional charge for each ft	0.16 oz

PERFORMANCE AND EFFICIENCY

Cooling		Heating	
18,000 Btu/h		18,000 Btu/h	
SEER	19	HSPF Region IV	10.5
EER	12.5		

OPERATION TEMPERATURE RANGE

Indoor		Outdoor	
cooling	heating	cooling	heating
62~90°F	32~86°F	-13~122°F	-13~86°F

ELECTRICAL

Power supply	208-230V/ 60Hz, 1Ph
MCA	15 A
MFA	20 A

MCA: Minimum Circuit Ampacity **MFA:** Max. fuse A

PIPING

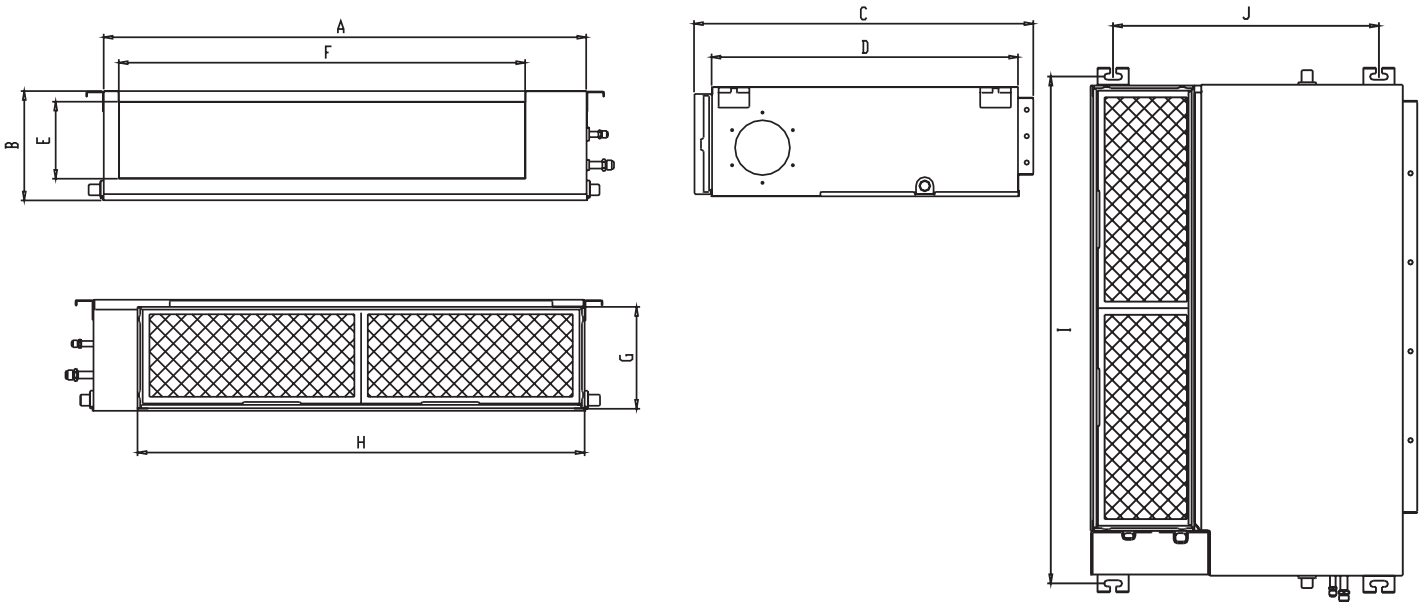
Refrigerant piping Liquid side/Gas side	1/4 - 1/2 in
Max. refrigerant pipe length	98 ft
Max. difference in level	66 ft

SUBMITTAL DATA SHEET

CH-M18DTUI

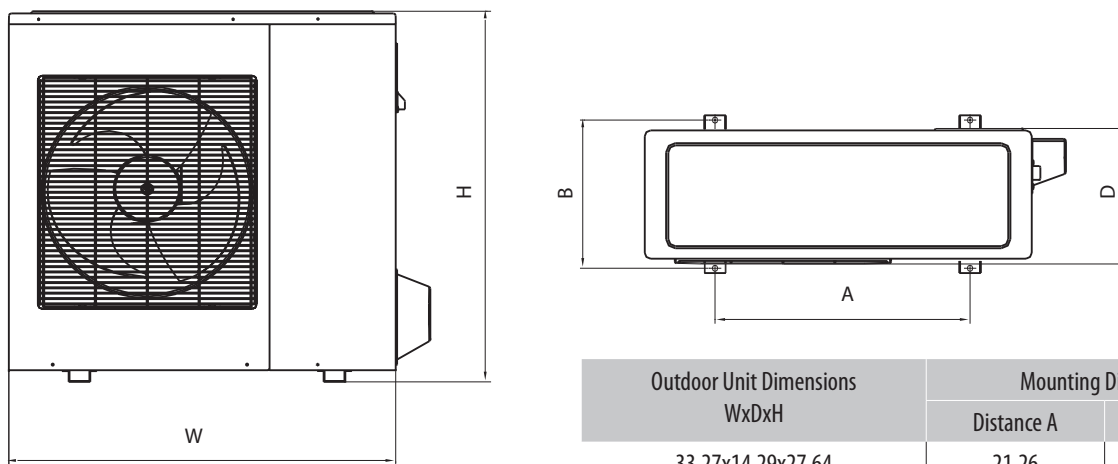
CH-18SHP-230VO

INDOOR UNIT



Outline dimension				air outlet opening size		air return opening size		Size of mounted lug	
A	B	C	D	E	F	G	H	I	J
34.65	8.27	26.54	23.6	5.4	27.8	7.5	30.8	36.2	20

OUTDOOR UNIT



Outdoor Unit Dimensions WxDxH	Mounting Dimensions	
	Distance A	Distance B
33.27x14.29x27.64	21.26	13.8