

**Job Name:** \_\_\_\_\_  
**Location:** \_\_\_\_\_  
**Engineer:** \_\_\_\_\_  
**Submitted to:** \_\_\_\_\_  
**Submitted by:** \_\_\_\_\_  
**Reference:** \_\_\_\_\_

**Date:** \_\_\_\_\_  
**Approval:** \_\_\_\_\_  
**Construction:** \_\_\_\_\_  
**Unit #:** \_\_\_\_\_  
**Drawing #:** \_\_\_\_\_

**KEY FEATURES:**

- Two-way Draining Connection
- Activated Carbon Filter
- GoldFin Anti-Corrosive Coating
- Omni-Directional Airflow
- 12 Indoor Fan Speeds
- Refrigerant Leakage Detection
- Self Diagnosis Function
- Fresh Air Intake

NOTES:

\_\_\_\_\_

\_\_\_\_\_

\_\_\_\_\_

\_\_\_\_\_

\_\_\_\_\_



**CEILING CASSETTE**

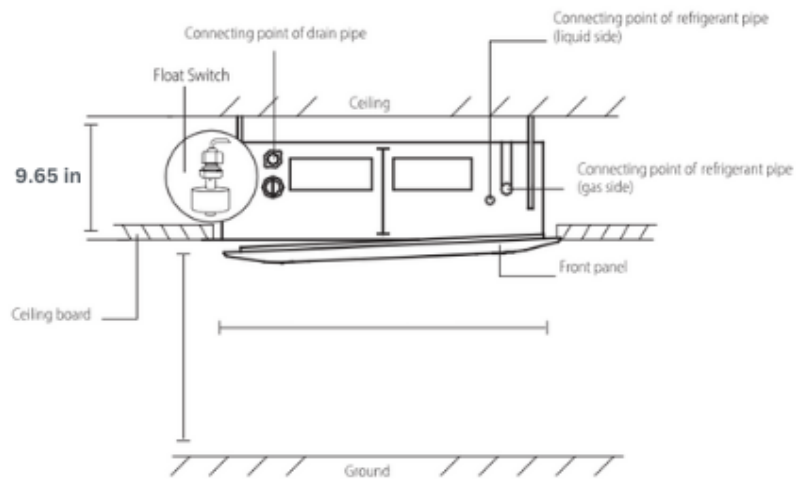
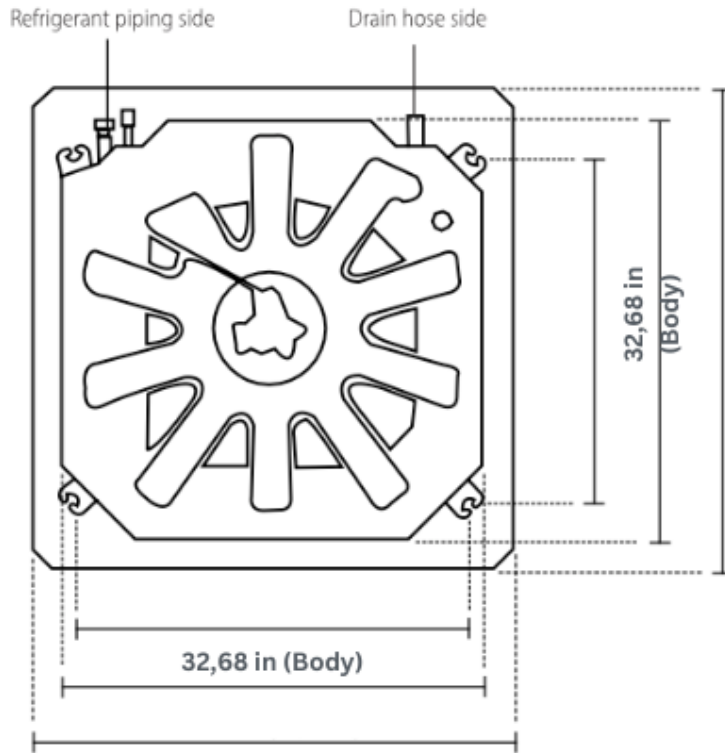


Indoor Model			CH-N24MSPHCT-230VI
Power supply		V, Ph, Hz	208-230V, 1Ph, 60Hz
Communication wiring			14AWG*4
Cooling	Capacity	Btu/h	24,000(8,100~26,200)
	Input	w	1,920(320~2,600)
	Rated current	A	8.78(2.3~11.4)
	EER/EER2	Btu/w	12.5
	SEER/SEER2	Btu/w	21.5
Heating at 47 °F	Capacity	Btu/h	25,000(10,600~30,000)
	Input	W	2,210(630~2,900)
	Rated current	A	10(4.3~13.0)
	COP	W/W	3.32
	HSPF4/HSPF2-4		9.7
	HSPF5/HSPF2-5		7.8
Indoor fan motor		Qty	1
		Input	45
		RLA	1
Indoor air flow (Turbo/Hi/Med/Lo) (No duct)		CFM	764.71/705.88/635.29/547.06
ESP (range)		In.wg.	
Indoor noise level (Hi/Med/Lo)		dB(A)	49/46/43
Dehumidification		L/H	5.18
Indoor unit	Dimensions (WxDxH)	inch	32.68x32.68x8.07
	Packing (WxDxH)	inch	35.83x35.83x9.84
	Net/Gross weight	lbs	47.18/55.34
Drainage water pipe diameter		inch	1"
Refrigerant piping (Liquid side/Gas side)		inch	3/8"/5/8"
Design pressure		PSIG	550/340
Controller			RG10K-exclusive remote&120X or 120N wire controller
Room temperature	Cooling	F	60~90
	Heating	F	32~86

Outdoor Model			CH-ES24-230VO
Power supply		V, Ph, Hz	208-230V, 1Ph, 60Hz
Min. circuit ampacity		A	23
Max. fuse		A	30
Compressor	Model		KTM240D43UKT
	Type		Twin-ROTARY
	Brand		GMCC
	Capacity	Btu/h	25,930
	Input	w	2,045
	Rated current (RLA)	A	15.4
	Refrigerant oil	oz	VG74 21
Outdoor fan motor	Qty		1
	Input	w	150
	RLA	A	0.5
	Speed	r/min	900/450
Outdoor air flow (Max)		CFM	2,235.29
Outdoor noise level (Max)		dB(A)	61
Throttle type			EXV+Throttle valve
Outdoor unit	Dimensions (WxDxH)	inch	37.24x16.14x31.89
	Packing (WxDxH)	inch	42.91x19.69x34.84
	Net/Gross weight	inch	124.78/134.92
Refrigerant	Type		R410A
	Precharge	ft	25
Additional charge for 1/4 inch liquid pipe		oz	
Additional charge for 3/8 inch liquid pipe		oz	0.32
Refrigerant piping	Liquid side/Gas side	inch	3/8"/5/8"
	Max. pipe length	ft	164.04
	Max. difference in level	ft	82.02
Ambient temperature	Cooling	F	-13~122
	Heating	F	-13~75

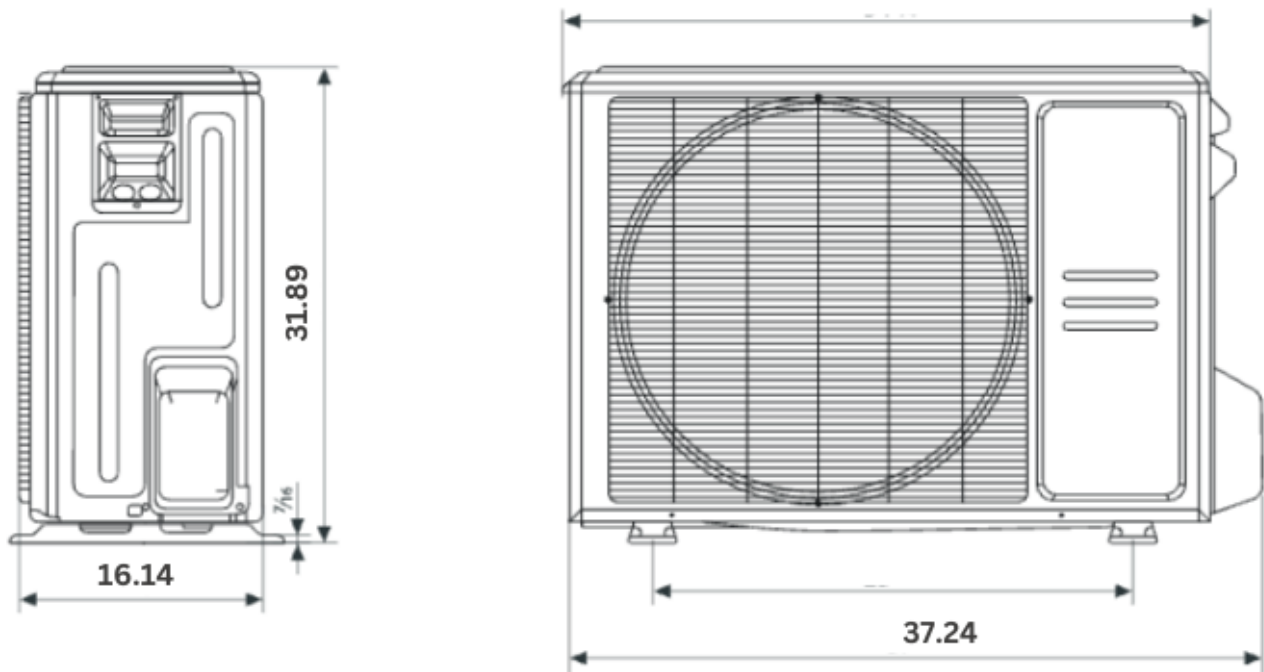
**CH-N24MSPHCT-230VI**

**CEILING CASSETTE**



**32.68x32.68x9.65**

**CH-ES24-230VO**



Dimensions	Width	Depth	Height
Inches	37.24	16.14	31.89