

Job Name: _____
Location: _____
Engineer: _____
Submitted to: _____
Submitted by: _____
Reference: _____

Date: _____
Approval: _____
Construction: _____
Unit #: _____
Drawing #: _____

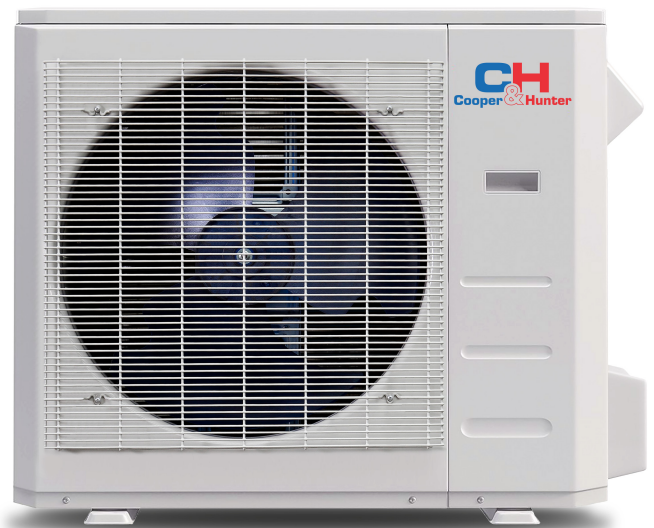
KEY FEATURES:

- Two-way Draining Connection
- Activated Carbon Filter
- GoldFin Anti-Corrosive Coating
- Omni-Directional Airflow
- 12 Indoor Fan Speeds
- Refrigerant Leakage Detection
- Self Diagnosis Function
- Fresh Air Intake

NOTES:



CEILING CASSETTE

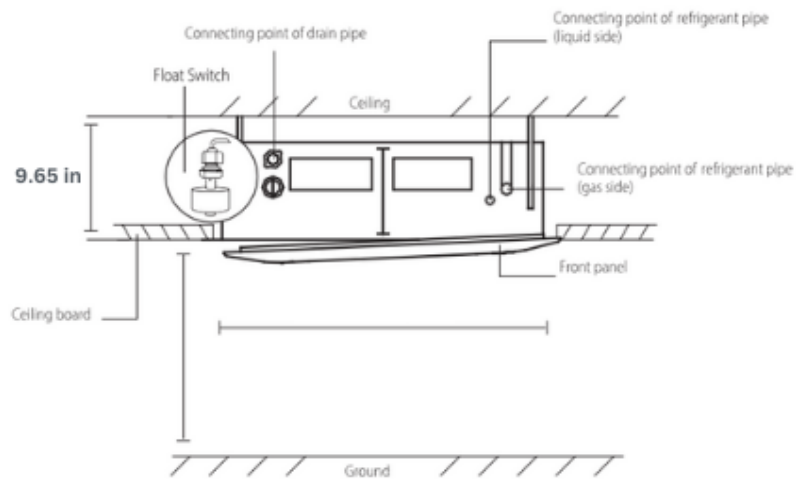
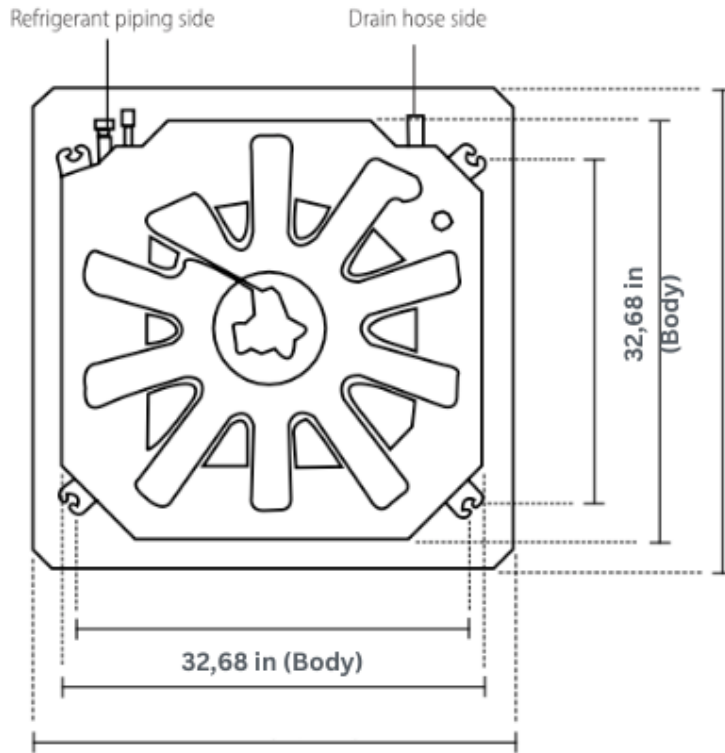


| Indoor Model | | | CH-24MSPHCT-230VI |
|---|--------------------|-----------|---|
| Power supply | | V, Ph, Hz | 208-230V, 1Ph, 60Hz |
| Communication wiring | | | 14AWG*4 |
| Cooling | Capacity | Btu/h | 24,000(8,100~26,200) |
| | Input | w | 1,920(320~2,600) |
| | Rated current | A | 8.78(2.3~11.4) |
| | EER/EER2 | Btu/w | 12.5 |
| | SEER/SEER2 | Btu/w | 21.5 |
| Heating at 47 °F | Capacity | Btu/h | 25,000(10,600~30,000) |
| | Input | W | 2,210(630~2,900) |
| | Rated current | A | 10(4.3~13.0) |
| | COP | W/W | 3.32 |
| | HSPF4/HSPF2-4 | | 9.7 |
| | HSPF5/HSPF2-5 | | 7.8 |
| Indoor fan motor | | Qty | 1 |
| | | Input | 45 |
| | | RLA | 1 |
| Indoor air flow (Turbo/Hi/Med/Lo) (No duct) | | CFM | 764.71/705.88/635.29/547.06 |
| ESP (range) | | In.wg. | |
| Indoor noise level (Hi/Med/Lo) | | dB(A) | 49/46/43 |
| Dehumidification | | L/H | 5.18 |
| Indoor unit | Dimensions (WxDxH) | inch | 32.68x32.68x8.07 |
| | Packing (WxDxH) | inch | 35.83x35.83x9.84 |
| | Net/Gross weight | lbs | 47.18/55.34 |
| Drainage water pipe diameter | | inch | 1" |
| Refrigerant piping (Liquid side/Gas side) | | inch | 3/8"/5/8" |
| Design pressure | | PSIG | 550/340 |
| Controller | | | RG10K-exclusive remote&120X or 120N wire controller |
| Room temperature | Cooling | F | 60~90 |
| | Heating | F | 32~86 |

| Outdoor Model | | CH-ES24-230VO | |
|--|--------------------------|---------------|---------------------|
| Power supply | | V, Ph, Hz | 208-230V, 1Ph, 60Hz |
| Min. circuit ampacity | | A | 23 |
| Max. fuse | | A | 30 |
| Compressor | Model | | KTM240D43UKT |
| | Type | | Twin-ROTARY |
| | Brand | | GMCC |
| | Capacity | Btu/h | 25,930 |
| | Input | w | 2,045 |
| | Rated current (RLA) | A | 15.4 |
| | Refrigerant oil | oz | VG74 21 |
| Outdoor fan motor | Qty | | 1 |
| | Input | w | 150 |
| | RLA | A | 0.5 |
| | Speed | r/min | 900/450 |
| Outdoor air flow (Max) | | CFM | 2,235.29 |
| Outdoor noise level (Max) | | dB(A) | 61 |
| Throttle type | | | EXV+Throttle valve |
| Outdoor unit | Dimensions (WxDxH) | inch | 37.24x16.14x31.89 |
| | Packing (WxDxH) | inch | 42.91x19.69x34.84 |
| | Net/Gross weight | inch | 124.78/134.92 |
| Refrigerant | Type | | R410A |
| | Precharge | ft | 25 |
| Additional charge for 1/4 inch liquid pipe | | oz | |
| Additional charge for 3/8 inch liquid pipe | | oz | 0.32 |
| Refrigerant piping | Liquid side/Gas side | inch | 3/8"/5/8" |
| | Max. pipe length | ft | 164.04 |
| | Max. difference in level | ft | 82.02 |
| Ambient temperature | Cooling | F | -13~122 |
| | Heating | F | -13~75 |

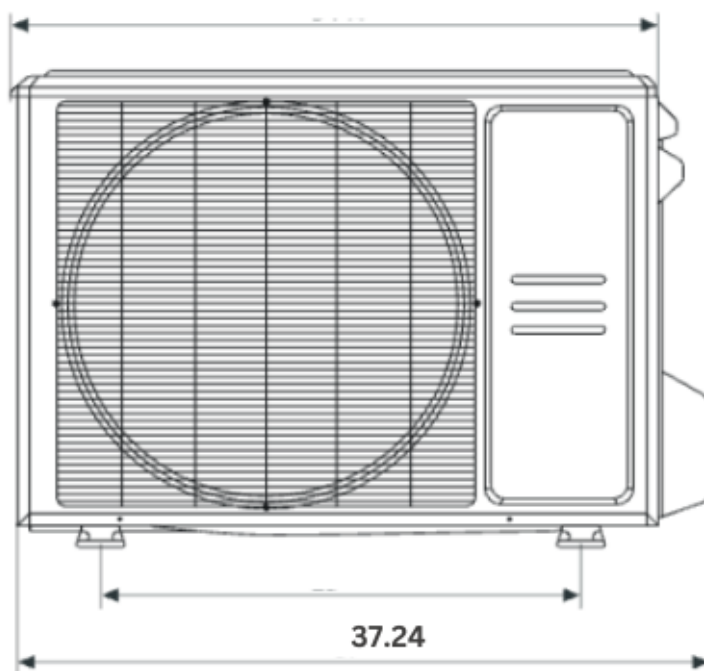
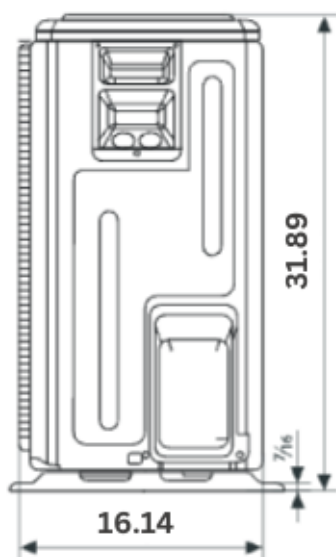
CH-24MSPHCT-230VI

CEILING CASSETTE



32.68x32.68x9.65

CH-ES24-230VO



| Dimensions | Width | Depth | Height |
|------------|-------|-------|--------|
| Inches | 37.24 | 16.14 | 31.89 |