

Job Name: _____
Location: _____
Engineer: _____
Submitted to: _____
Submitted by: _____
Reference: _____

Date: _____
Approval: _____
Construction: _____
Unit #: _____
Drawing #: _____

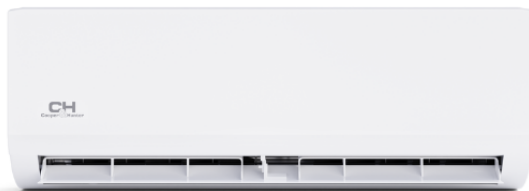
KEY FEATURES:

- Auto-Swing for horizontal louvers
- Genius Core ultra-low compressor speed of 12Hz
- 46° Freeze Protection
- Smart Kit Ready
- Turbo Mode
- Follow Me Mode

NOTES:



OLIVIA

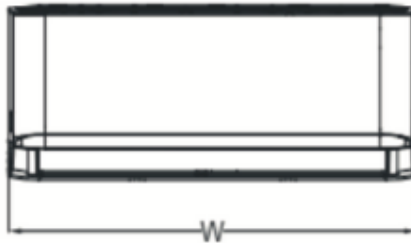


Indoor Model			CH-24MOLVWM-230VI
Power supply		V, Ph, Hz	208-230V, 1Ph, 60Hz
Communication wiring			14AWG*4
Cooling	Capacity	Btu/h	24,000(9,200~25,000)
	Input	w	1,846(370~1,550)
	Rated current	A	8.02(2.4~6.8)
	EER/EER2	Btu/w	13
	SEER/SEER2	Btu/w	21
Heating at 47 °F	Capacity	Btu/h	26,000(10,350~26,410)
	Input	W	2,420(560~2,240)
	Rated current	A	10.35(3.6~9.8)
	COP	W/W	3.15
	HSPF4/HSPF2-4		8.5
	HSPF5/HSPF2-5		6.3
Indoor fan motor		Qty	1
		Input	58
		RLA	0.38
Indoor air flow (Turbo/Hi/Med/Lo) (No duct)		CFM	760.59/601.18/458.82/382.35
ESP (range)		In.wg.	
Indoor noise level (Hi/Med/Lo)		dB(A)	48/40/28
Dehumidification		L/H	5.43
Indoor unit	Dimensions (WxDxH)	inch	42.64x9.61x13.23
	Packing (WxDxH)	inch	45.47x16.34x12.40
	Net/Gross weight	lbs	29.98/38.14
Drainage water pipe diameter		inch	5/8"
Refrigerant piping (Liquid side/Gas side)		inch	3/8"/5/8"
Design pressure		PSIG	550/340
Controller			RG10K-exclusive remote
Room temperature	Cooling	F	60~90
	Heating	F	32~86

Outdoor Model		CH-ES24-230VO	
Power supply		V, Ph, Hz	208-230V, 1Ph, 60Hz
Min. circuit ampacity		A	23
Max. fuse		A	30
Compressor	Model		KTM240D43UKT
	Type		Twin-ROTARY
	Brand		GMCC
	Capacity	Btu/h	25,930
	Input	w	2,045
	Rated current (RLA)	A	15.4
	Refrigerant oil	oz	VG74 21
Outdoor fan motor	Qty		1
	Input	w	150
	RLA	A	0.5
	Speed	r/min	900/450
Outdoor air flow (Max)		CFM	2,235.29
Outdoor noise level (Max)		dB(A)	62
Throttle type			EXV+Throttle valve
Outdoor unit	Dimensions (WxDxH)	inch	37.24x16.14x31.89
	Packing (WxDxH)	inch	42.91x19.69x34.84
	Net/Gross weight	inch	124.78/134.92
Refrigerant	Type		R410A
	Precharge	ft	25
Additional charge for 1/4 inch liquid pipe		oz	
Additional charge for 3/8 inch liquid pipe		oz	0.32
Refrigerant piping	Liquid side/Gas side	inch	3/8"/5/8"
	Max. pipe length	ft	164.04
	Max. difference in level	ft	82.02
Ambient temperature	Cooling	F	-13~122
	Heating	F	-13~75

OLIVIA

Units: in



42.64



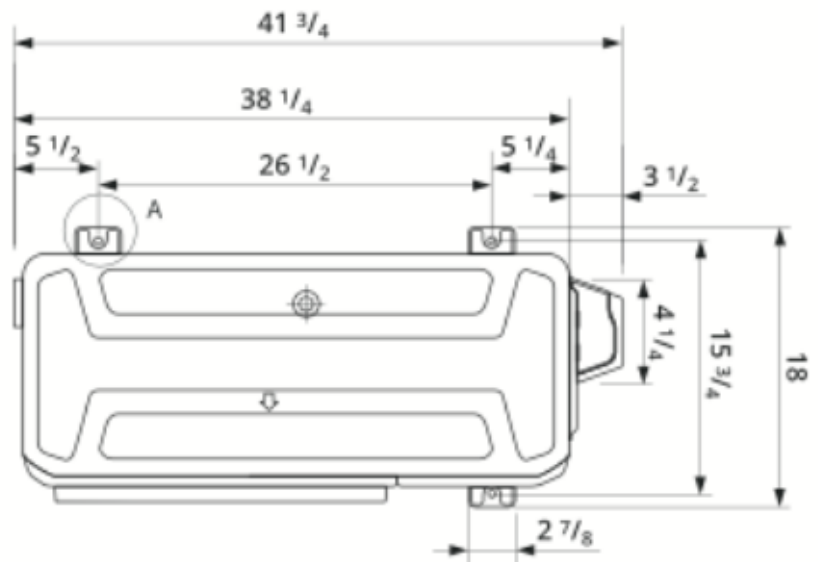
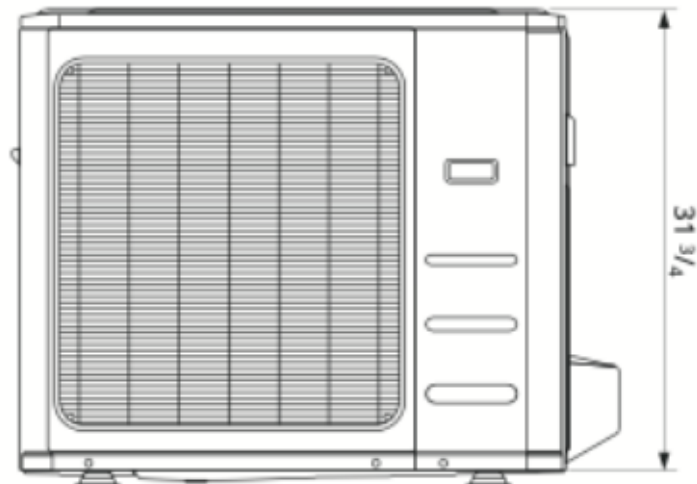
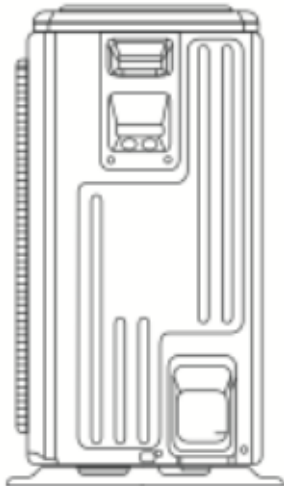
13.23

9.61



Dimension (WxDxH)

42.64x9.61x13.23



**DETAIL A
SCALE 1:1**

