

Job Name: _____
Location: _____
Engineer: _____
Submitted to: _____
Submitted by: _____
Reference: _____

Date: _____
Approval: _____
Construction: _____
Unit #: _____
Drawing #: _____

KEY FEATURES:

- Sleek, Modern Midnight Black Design
- Auto-Swing for horizontal louvers
- Genius Core ultra-low compressor speed of 12Hz
- 46° Freeze Protection
- Smart Kit Ready
- Turbo and Follow Me Mode

NOTES:



OLIVIA
MIDNIGHT

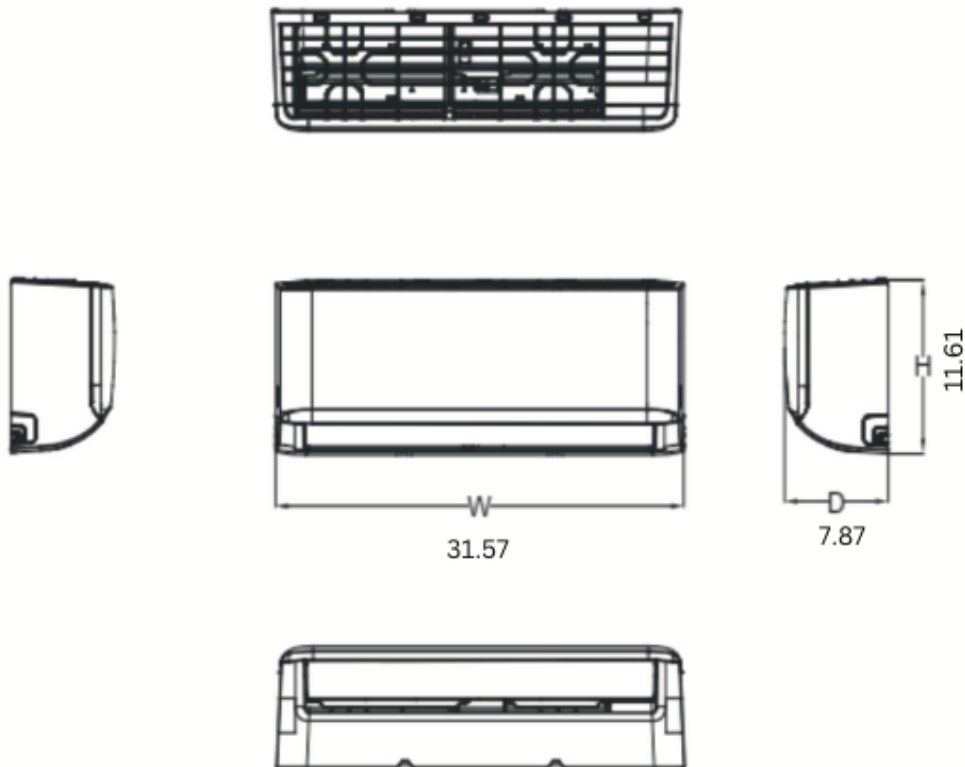


Indoor Model			CH-B12MOLVWM-230VI
Power supply		V, Ph, Hz	208-230V, 1Ph, 60Hz
Communication wiring			14AWG*4
Cooling	Capacity	Btu/h	12,000(3,600~13,300)
	Input	w	930(198~1,200)
	Rated current	A	4.05(0.86~5.21)
	EER/EER2	Btu/w	13
	SEER/SEER2	Btu/w	23.1
Heating at 47 °F	Capacity	Btu/h	12,000(4,500~13,500)
	Input	W	1,035(278~1,400)
	Rated current	A	4.5(1.2~6.08)
	COP	W/W	3.4
	HSPF4/HSPF2-4		10.8
	HSPF5/HSPF2-5		8
Indoor fan motor		Qty	1
		Input	58
		RLA	0.38
Indoor air flow (Turbo/Hi/Med/Lo) (No duct)		CFM	341.18/291.18/194.12/152.94
ESP (range)		In.wg.	
Indoor noise level (Hi/Med/Lo)		dB(A)	42/36/25
Dehumidification		L/H	2.83
Indoor unit	Dimensions (WxDxH)	inch	31.57x7.87x11.61
	Packing (WxDxH)	inch	34.45x11.22x14.96
	Net/Gross weight	lbs	18.74/24.25
Drainage water pipe diameter		inch	5/8"
Refrigerant piping (Liquid side/Gas side)		inch	1/4"/1/2"
Design pressure		PSIG	550/340
Controller			RG10K-exclusive remote
Room temperature	Cooling	F	60~90
	Heating	F	32~86

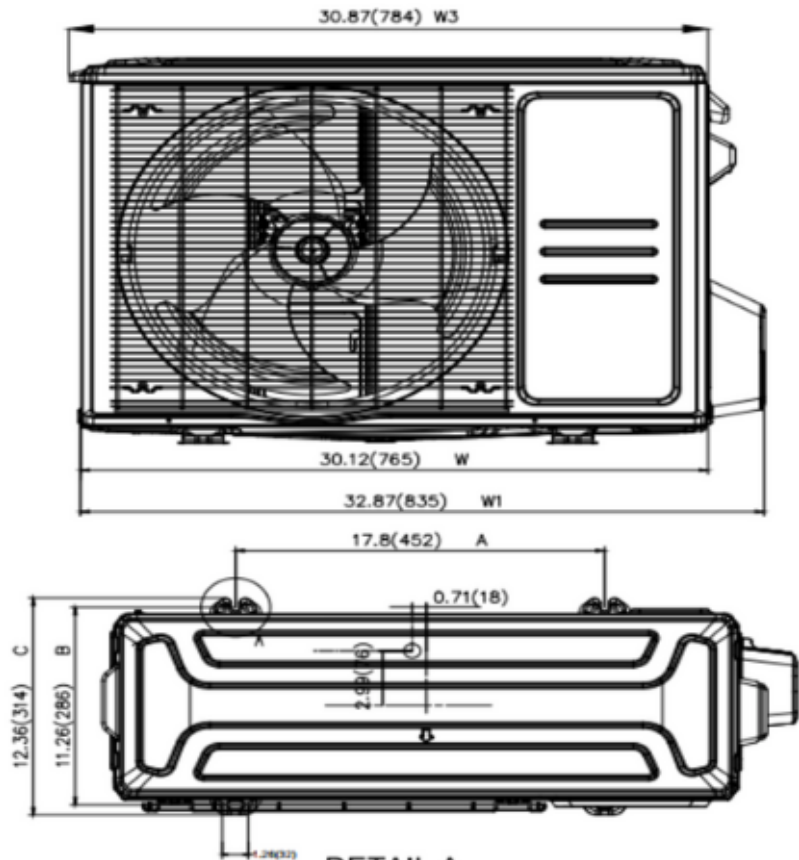
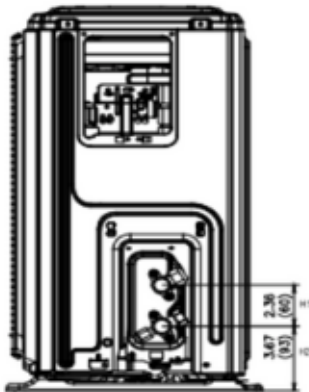
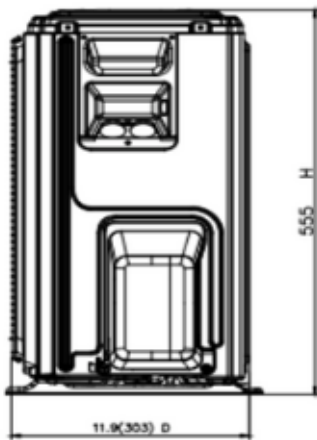
Outdoor Model			CH-ES12-230VO
Power supply		V, Ph, Hz	208-230V, 1Ph, 60Hz
Min. circuit ampacity		A	13
Max. fuse		A	15
Compressor	Model		KSK103D33UEZ3
	Type		ROTARY
	Brand		GMCC
	Capacity	Btu/h	11,100
	Input	w	826
	Rated current (RLA)	A	6.4
	Refrigerant oil	oz	VG74 10.5
Outdoor fan motor	Qty		1
	Input	w	96
	RLA	A	0.4
	Speed	r/min	800/600
Outdoor air flow (Max)		CFM	1,294.12
Outdoor noise level (Max)		dB(A)	54.5
Throttle type			EXV
Outdoor unit	Dimensions (WxDxH)	inch	30.12x11.93x21.85
	Packing (WxDxH)	inch	34.92x13.27x24.02
	Net/Gross weight	inch	63.71/69.00
Refrigerant	Type		R410A
	Precharge	ft	25
Additional charge for 1/4 inch liquid pipe		oz	0.16
Additional charge for 3/8 inch liquid pipe		oz	
Refrigerant piping	Liquid side/Gas side	inch	1/4"/1/2"
	Max. pipe length	ft	82.02
	Max. difference in level	ft	32.81
Ambient temperature	Cooling	F	-13~122
	Heating	F	-13~75

OLIVIA

Units: in



Dimension (WxDxH)
31.57x7.87x11.61



DETAIL A
SCALE 1:2

